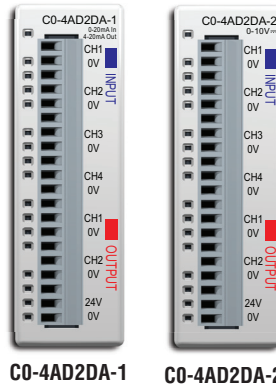


Choosing Expansion I/O Modules

Analog I/O Modules (continued)

Analog Combo I/O Modules



Analog Combo I/O Modules			
Part Number	Analog Input Type	Analog Output Type	External Power Required
CO-4AD2DA-1	4 channel, current (0-20 mA), 13 bit	2 channel, current sourcing (4-20 mA), 12 bit	24 VDC
CO-4AD2DA-2	4 channel, voltage (0-10 V), 13 bit	4 channel, voltage (0-10 V), 12 bit	24 VDC

General Specifications For All CLICK PLC Products

These general specifications apply to all CLICK PLCs, optional I/O modules, and optional power supply products. Please refer to the appropriate I/O temperature derating charts under both the PLC and I/O module specifications to determine best operating conditions based on the ambient temperature of your particular application.

General Specifications	
Power Input Voltage Range	20–28 VDC
Maximum Power Consumption	5W (No 5V use from communication port)
Maximum Inrush Current	30A (less than 1ms)
Acceptable External Power Drop	Max 10ms
Operating Temperature	Analog, analog combo I/O modules only: 32°F to 140°F (0°C to 60°C); All other modules: 32°F to 131°F (0°C to 55°C), IEC 60068-2-14 (Test Nb, Thermal Shock)
Storage Temperature	–4°F to 158°F (–20°C to 70°C) IEC 60068-2-1 (Test Ab, Cold) IEC 60068-2-2 (Test Bb, Dry Heat) IEC 60068-2-14 (Test Na, Thermal Shock)
Ambient Humidity	30% to 95% relative humidity (non-condensing)
Environmental Air	No corrosive gases. Environmental pollution level is 2 (UL840)
Vibration	MIL STD 810C, Method 514.2, EC60068-2-6 JIS C60068-2-6 (Sine wave vibration test)
Shock	MIL STD 810C, Method 516.2, IEC60068-2-27, JIS C60068-2-27
Noise Immunity	Comply with NEMA ICS3-304, Impulse noise 1 μ s, 1000V EN61000-4-2 (ESD), EN61000-4-3 (RFI), EN61000-4-4 (FTB) EN61000-4-5 (Surge), EN61000-4-6 (Conducted) EN61000-4-8 (Power frequency magnetic field immunity) RFI: No interference measured at 150 and 450 MHz (5w/15cm)
Emissions	EN55011:1998 Class A
Agency Approvals	UL508 (File No. E157382, E316037); CE (EN61131-2)
Other	RoHS

CLICK Specifications

PLC Unit Specifications

Basic, Standard and Analog PLC Unit Specifications			
	Basic PLC	Standard PLC	Analog PLC
Control Method	Stored Program/Cyclic execution method	Stored Program/Cyclic execution method	Stored Program/Cyclic execution method
I/O Numbering System	Fixed in Decimal	Fixed in Decimal	Fixed in Decimal
Ladder Memory (steps)	8000	8000	8000
Total Data Memory (words)	8000	8000	8000
Contact Execution (boolean)	< 0.6us	< 0.6us	< 0.6us
Typical Scan (1k boolean)	1-2 ms	1-2 ms	1-2 ms
RLL Ladder Style Programming	Yes	Yes	Yes
Run Time Edits	No	No	No
Scan	Variable / fixed	Variable / fixed	Variable / fixed
CLICK Programming Software for Windows	Yes	Yes	Yes
Built-in Communication Ports	Yes (two RS-232 ports)	Yes (two RS-232 ports and one RS-485 port)	Yes (two RS-232 ports and one RS-485 port)
FLASH Memory	Standard on PLC	Standard on PLC	Standard on PLC
Built-in Discrete I/O points	8 inputs, 6 outputs	8 inputs, 6 outputs	4 inputs, 4 outputs
Built-in Analog I/O Channels	No	No	2 inputs, 2 outputs
Number of Instructions Available	21	21	21
Control Relays	2000	2000	2000
System Control Relays	1000	1000	1000
Timers	500	500	500
Counters	250	250	250
Interrupt	Yes (external: 8 / timed: 4)	Yes (external: 8 / timed: 4)	Yes (external: 4 / timed: 4)
Subroutines	Yes	Yes	Yes
For/Next Loops	Yes	Yes	Yes
Math (Integer and Hex)	Yes	Yes	Yes
Drum Sequencer Instruction	Yes	Yes	Yes
Internal Diagnostics	Yes	Yes	Yes
Password Security	Yes	Yes	Yes
System Error Log	Yes	Yes	Yes
User Error Log	No	No	No
Memory Backup	Super Capacitor	Super Capacitor + Battery	Super Capacitor + Battery
Battery Backup	No	Yes (battery sold separately; part # D2-BAT-1)	Yes (battery sold separately; part # D2-BAT-1)
Calendar/Clock	No	Yes	Yes
I/O Terminal Block Replacement	ADC p/n C0-16TB	ADC p/n C0-16TB	ADC p/n C0-16TB
Communication Port & Terminal Block Replacement	N/A	ADC p/n C0-3TB	ADC p/n C0-3TB
24 VDC Power Terminal Block Replacement	ADC p/n C0-4TB	ADC p/n C0-4TB	ADC p/n C0-4TB

CLICK Specifications

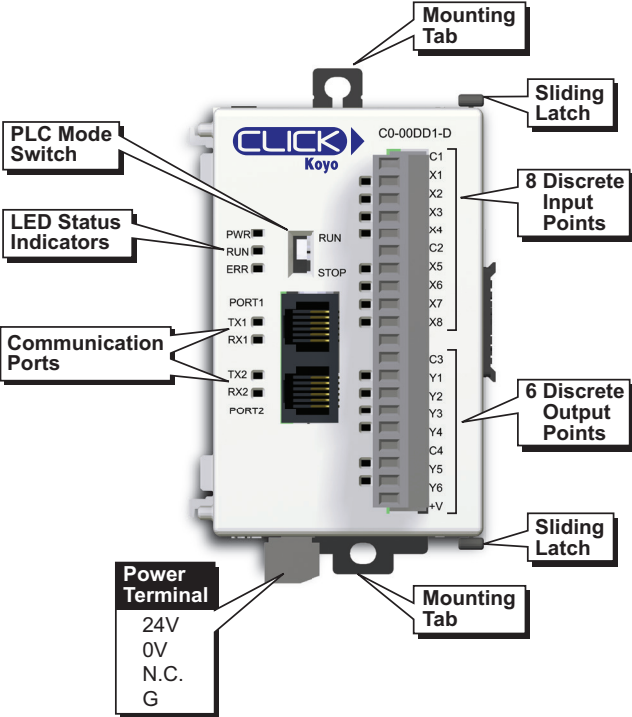
PLC Units Specifications (continued)

Ethernet Basic, Standard and Analog PLC Unit Specifications			
	Ethernet Basic PLC	Ethernet Standard PLC	Ethernet Analog PLC
Control Method	Stored Program/Cyclic execution method	Stored Program/Cyclic execution method	Stored Program/Cyclic execution method
I/O Numbering System	Fixed in Decimal	Fixed in Decimal	Fixed in Decimal
Ladder Memory (steps)	8000	8000	8000
Total Data Memory (words)	8000	8000	8000
Contact Execution (boolean)	< 0.2 μ s	< 0.2 μ s	< 0.2 μ s
Typical Scan (1k boolean)	< 1ms	< 1ms	< 1ms
RLL Ladder Style Programming	Yes	Yes	Yes
Run Time Edits	Yes	Yes	Yes
Scan	Variable / fixed	Variable / fixed	Variable / fixed
CLICK Programming Software for Windows	Yes	Yes	Yes
Built-in Communication Ports	Yes (one Ethernet port and one RS-232 port)	Yes (one Ethernet port, one RS-232 port and one RS-485 port)	Yes (one Ethernet port, one RS-232 port and one RS-485 port)
FLASH Memory	Standard on PLC	Standard on PLC	Standard on PLC
Built-in Discrete I/O points	8 inputs, 6 outputs	8 inputs, 6 outputs	4 inputs, 4 outputs
Built-in Analog I/O Channels	No	No	2 or 4 inputs; 2 outputs
Number of Instructions Available	21	21	21
Control Relays	2000	2000	2000
System Control Relays	1000	1000	1000
Timers	500	500	500
Counters	250	250	250
Interrupt	Yes (external: 8 / timed: 4)	Yes (external: 8 / timed: 4)	Yes (external: 8 / timed: 4)
Subroutines	Yes	Yes	Yes
For/Next Loops	Yes	Yes	Yes
Math (Integer and Hex)	Yes	Yes	Yes
Drum Sequencer Instruction	Yes	Yes	Yes
Internal Diagnostics	Yes	Yes	Yes
Password Security	Yes	Yes	Yes
System Error Log	Yes	Yes	Yes
User Error Log	No	No	No
Memory Backup	Super Capacitor + Battery	Super Capacitor + Battery	Super Capacitor + Battery
Battery Backup	Yes (battery part # D2-BAT-1)	Yes (battery part # D2-BAT-1)	Yes (battery part # D2-BAT-1)
Calendar/Clock	Yes	Yes	Yes
I/O Terminal Block Replacement	ADC p/n C0-16TB	ADC p/n C0-16TB	ADC p/n C0-16TB
Communication Port & Terminal Block Replacement	N/A	ADC p/n C0-3TB	ADC p/n C0-3TB
24 VDC Power Terminal Block Replacement	ADC p/n C0-4TB	ADC p/n C0-4TB	ADC p/n C0-4TB

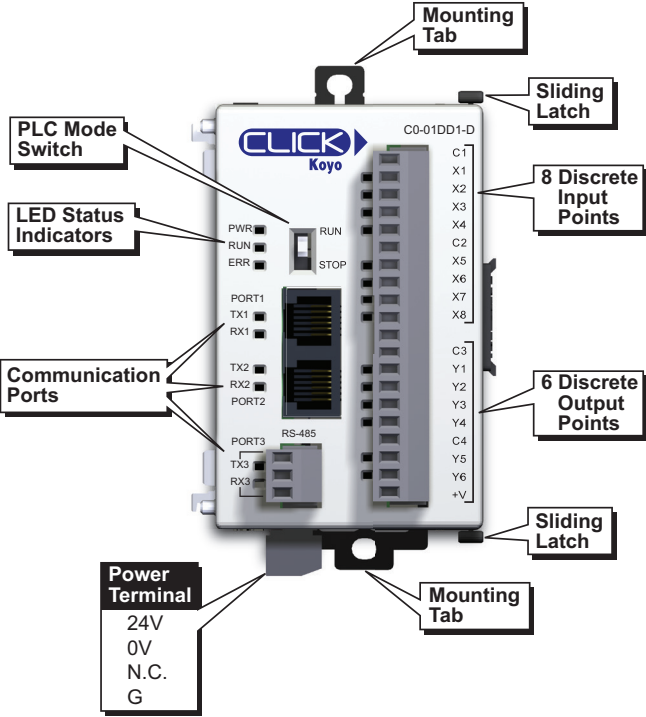
CLICK Specifications

PLC Features

Basic PLCs



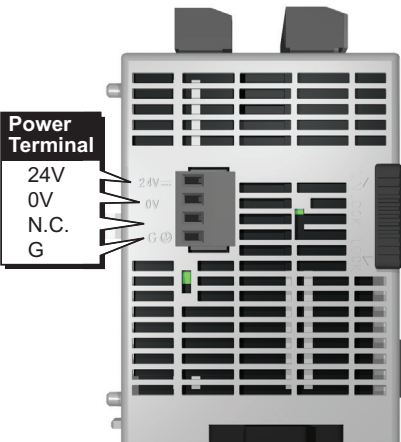
Standard PLCs



Analog PLCs



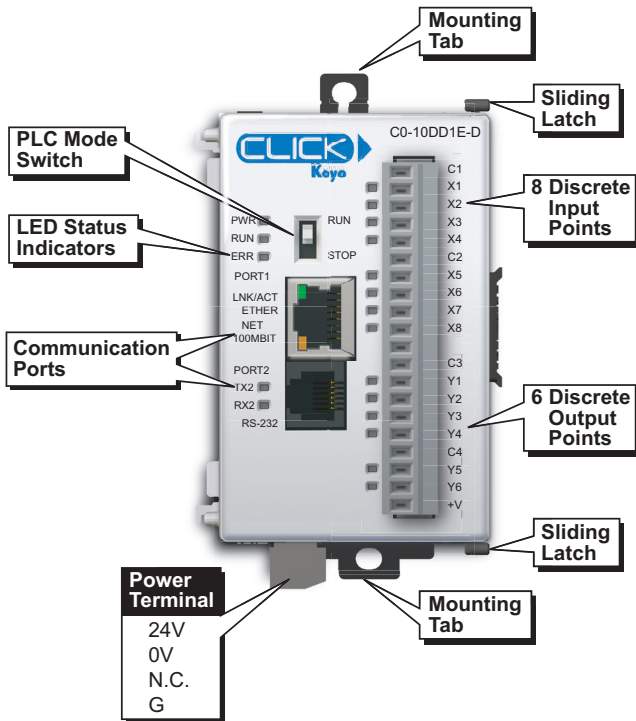
Bottom of PLC (Same on all models)



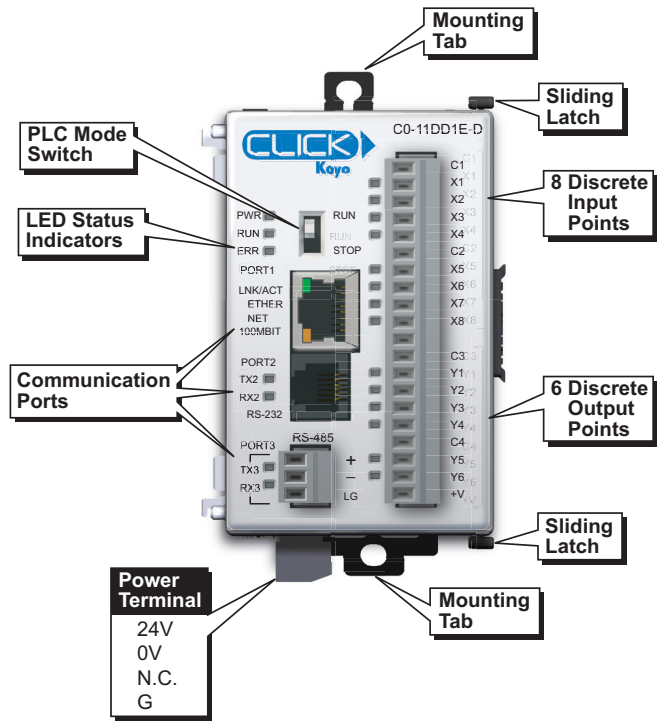
CLICK Specifications

PLC Features (continued)

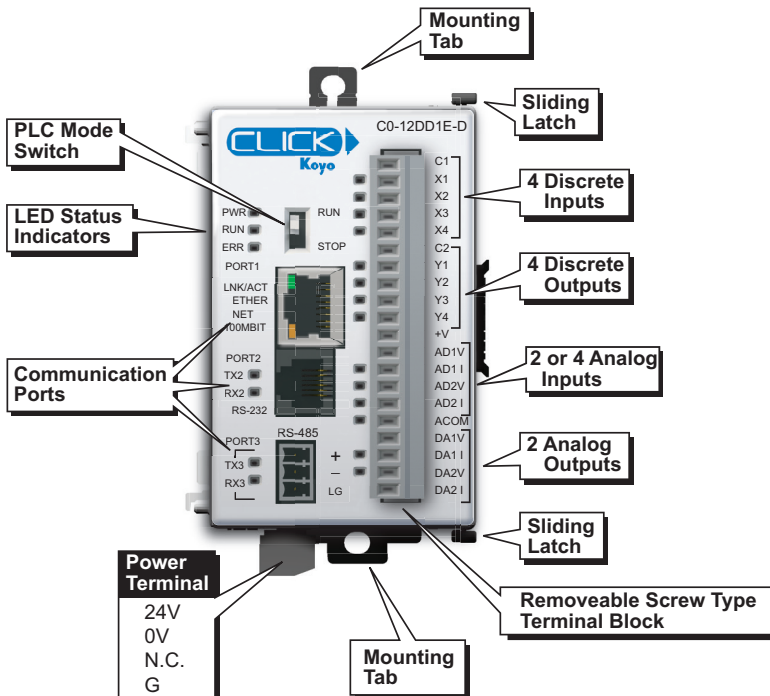
Ethernet Basic PLCs



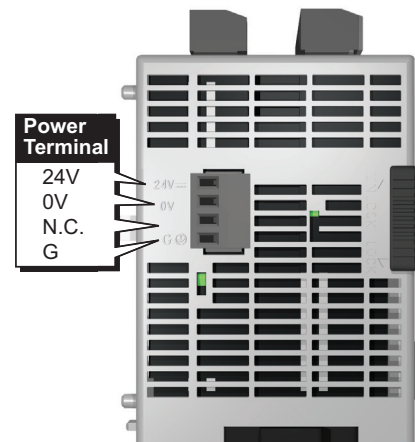
Ethernet Standard PLCs



Ethernet Analog PLCs

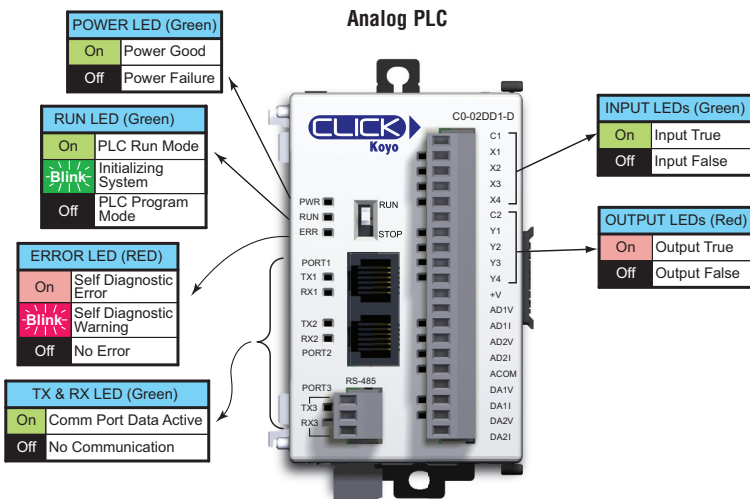
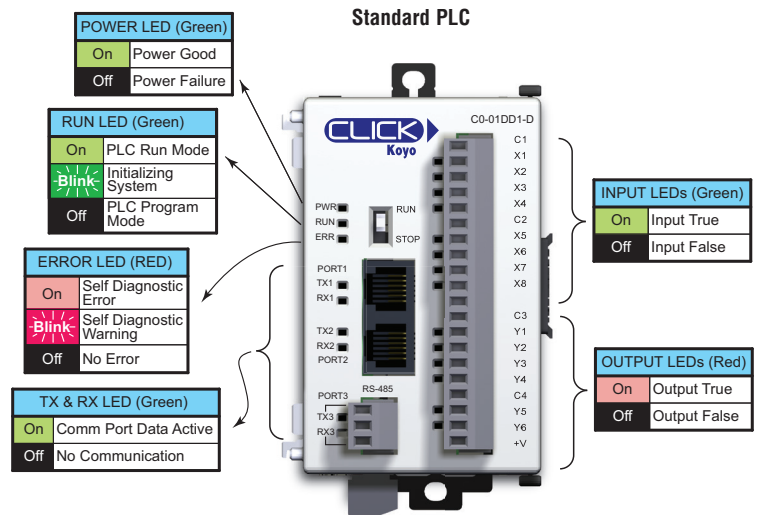
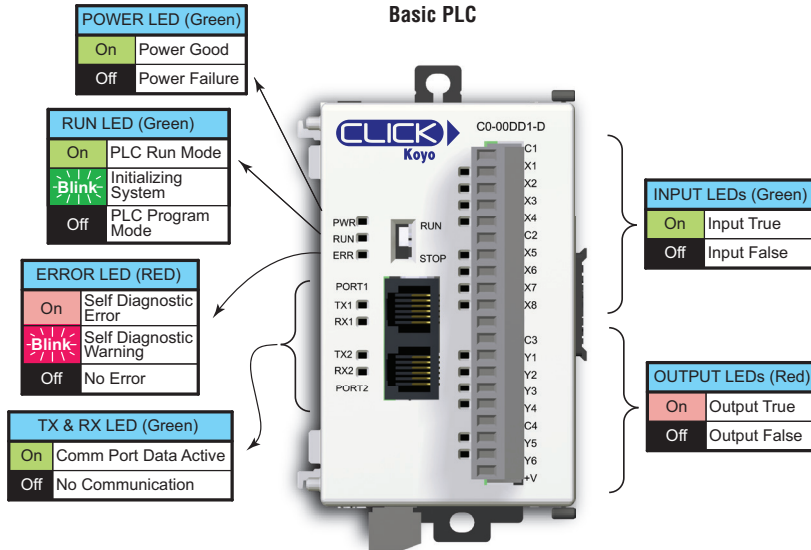


**Bottom of Ethernet PLC
(Same on all models)**



CLICK Specifications

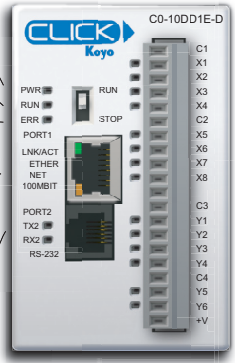
PLC LED Status Indicators



CLICK Specifications

PLC LED Status Indicators

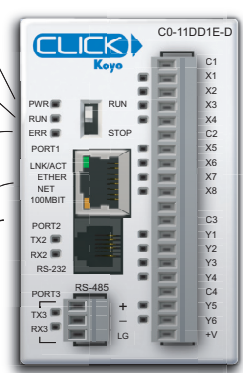
Ethernet Basic PLC



POWER LED (Green)	
On	Power Good
Off	Power Failure
RUN LED (Green)	
On	PLC Run Mode
Blink	Initializing System
Off	PLC Program Mode
ERROR LED (RED)	
On	Self Diagnostic Error
Blink	Self Diagnostic Warning
Off	No Error
LNK/ACT LED (Green)	
On	Connected to the network
Blink	Communicating
Off	Disconnected from the network
100MBIT LED (Orange)	
On	Communicating at 100Mbps
Off	Communicating at 10Mbps or disconnected from the network
TX & RX LED (Green)	
On	Comm Port Data Active
Off	No Communication

INPUT LEDs (Green)	
On	Input True
Off	Input False
OUTPUT LEDs (Red)	
On	Output True
Off	Output False

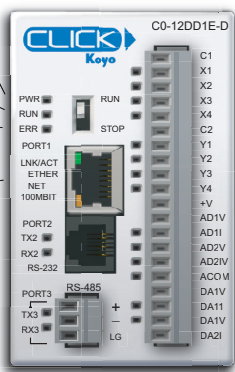
Ethernet Standard PLC



POWER LED (Green)	
On	Power Good
Off	Power Failure
RUN LED (Green)	
On	PLC Run Mode
Blink	Initializing System
Off	PLC Program Mode
ERROR LED (RED)	
On	Self Diagnostic Error
Blink	Self Diagnostic Warning
Off	No Error
LNK/ACT LED (Green)	
On	Connected to the network
Blink	Communicating
Off	Disconnected from the network
100MBIT LED (Orange)	
On	Communicating at 100Mbps
Off	Communicating at 10Mbps or disconnected from the network
TX & RX LED (Green)	
On	Com Port Data Active
Off	No Communication

INPUT LEDs (Green)	
On	Input True
Off	Input False
OUTPUT LEDs (Red)	
On	Output True
Off	Output False

Ethernet Analog PLC

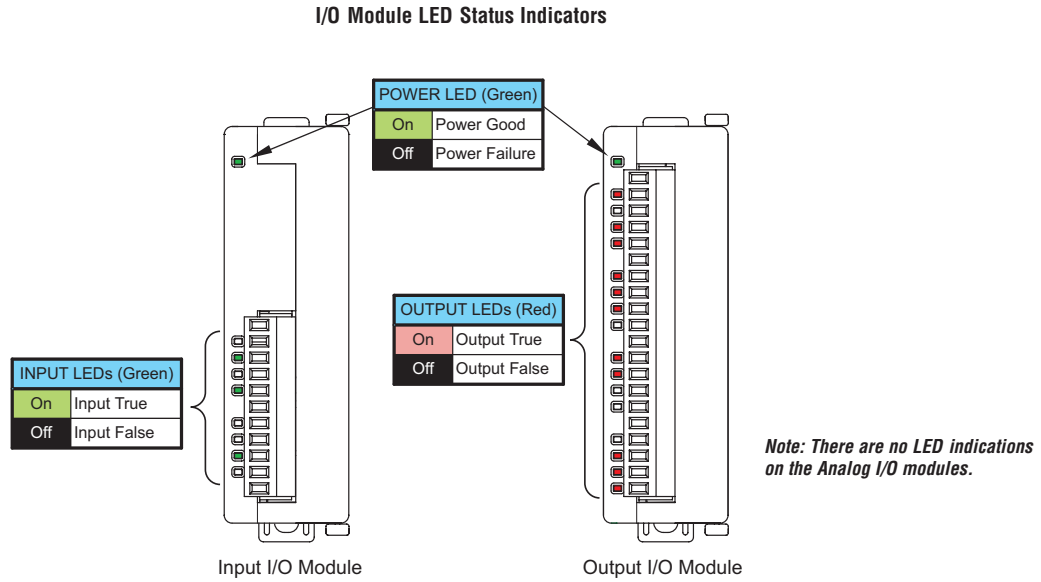


POWER LED (Green)	
On	Power Good
Off	Power Failure
RUN LED (Green)	
On	PLC Run Mode
Blink	Initializing System
Off	PLC Program Mode
ERROR LED (RED)	
On	Self Diagnostic Error
Blink	Self Diagnostic Warning
Off	No Error
LNK/ACT LED (Green)	
On	Connected to the network
Blink	Communicating
Off	Disconnected from the network
100MBIT LED (Orange)	
On	Communicating at 100Mbps
Off	Communicating at 10Mbps or disconnected from the network
TX & RX LED (Green)	
On	Com Port Data Active
Off	No Communication

INPUT LEDs (Green)	
On	Input True
Off	Input False
OUTPUT LEDs (Red)	
On	Output True
Off	Output False

CLICK Specifications

I/O Module LED Status Indicators



I/O Terminal Block Specifications for PLCs and I/O Modules

11-pin Terminal Block Specifications	
Connector Type	Pluggable Terminal Block
Number of Pins	11
Pitch	3.50 mm
Wire Range	28-16 AWG
Wire Strip Length	7 mm
Screw Size	M2.0
Screw Torque	Analog, analog combo I/O modules only: 1.7 lb-in; All other modules: 2.0 to 2.2 lb-in
ADC Part Number	CO-8TB

11-Pin Terminal Block,
CO-8TB

20-pin Terminal Block Specifications	
Connector Type	Pluggable Terminal Block
Number of Pins	20
Pitch	3.50 mm
Wire Range	28-16 AWG
Wire Strip Length	7 mm
Screw Size	M2.0
Screw Torque	Analog, analog combo I/O modules only: 1.7 lb-in; All other modules: 2.0 to 2.2 lb-in
ADC Part Number	CO-16TB

20-Pin Terminal Block,
CO-16TB