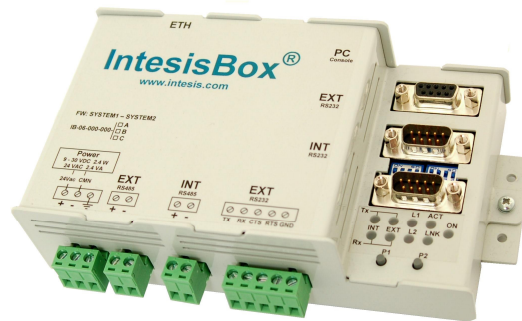


IntesisBox®

Making Building Automation go further



Overview of products

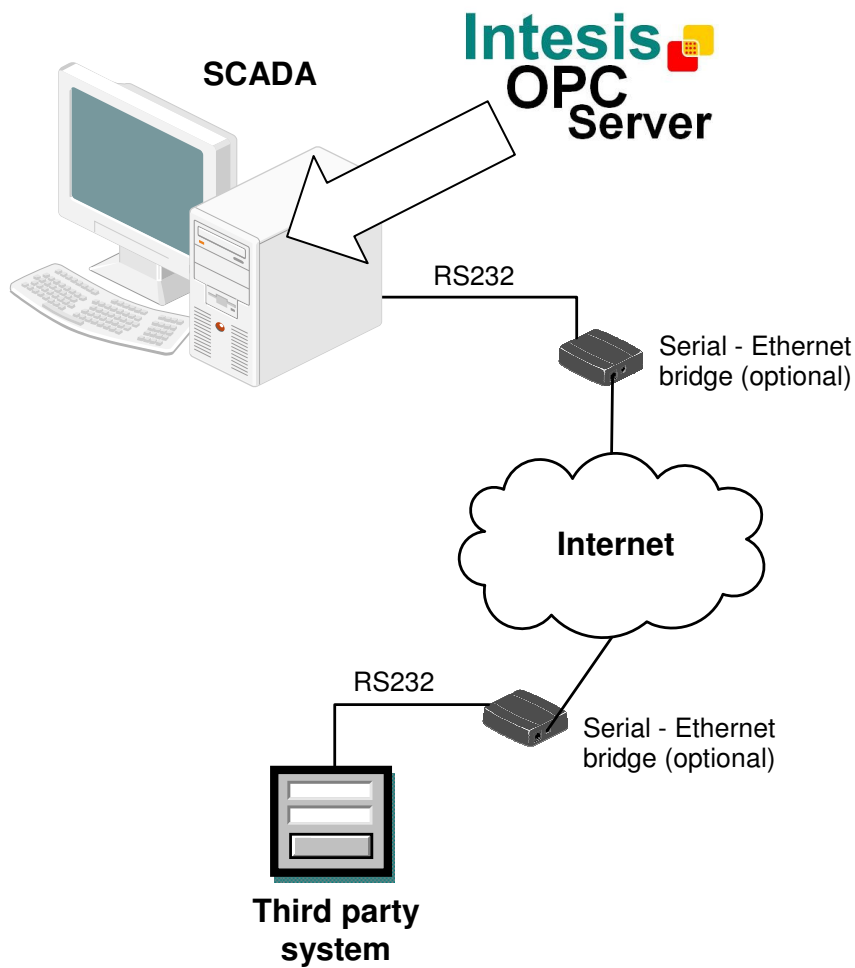
OPC Servers for integration of third party systems into supervision software with OPC client driver (SCADA, BMS supervisors, Monitoring software...)

Intesis OPC Server - Notifier ID3000 series

Intesis OPC Server - ESSER 8007/8008

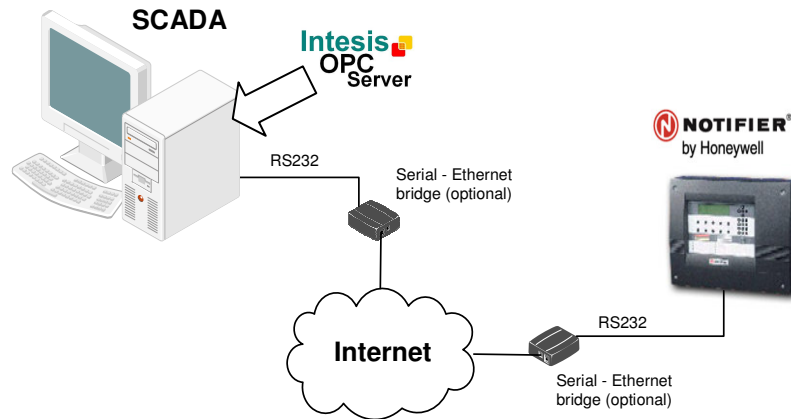
Intesis OPC Servers

OPC Servers for integration of third party systems into supervision software with OPC client driver (SCADA, BMS supervisors, Monitoring software...)



Intesis OPC Server - Notifier ID3000 series

Order Code: IS-OPC-NID3000



OPC Server for integration of NOTIFIER ID3000 / ID3002 / ID50 / ID60 fire panels.

This gateway allows to monitor the points of the Notifier panel from any SCADA or monitoring software with OPC client driver. Immediate response, operation based on events.

Main features

- Through the user interface, it is allowed to simulate the status of the OPC items without the need to be physically connected to the panel.

OPC features

- OPC Data Access 1.0a and 2.0.

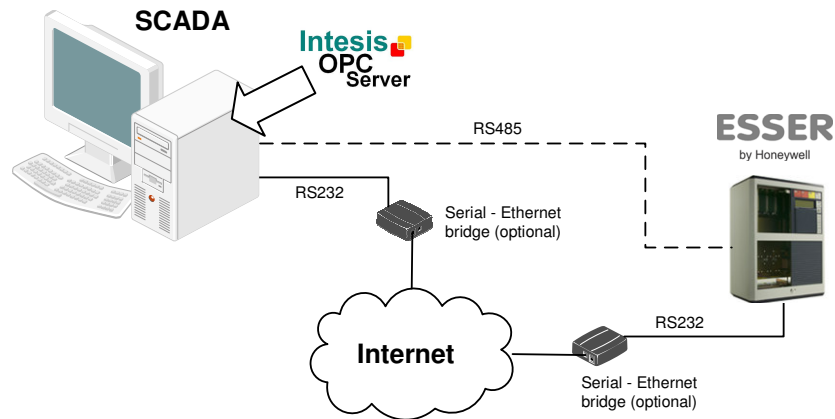
Notifier features

- Capacity: 1 to 8 loops (depends on the panel).
- Detectors: 1 to 99 per loop (depends on the panel).
- Modules: 1 to 99 per loop (depends on the panel).
- 1 to 255 zones (depends on the panel).
- 14 general states of the panel in independent OPC items.
- Indication of communication error with the panel.
- Supports protocols full/duplex (panel's main board) and half/duplex (opto-isolated ISO RS232 board, recommended).
- Simple configuration: COM, baud rate, etc.
- A free RS232 port in the PC is needed to connect to the panel.
- Each detector, module and zone is offered as an independent OPC item.
- The value offered per each OPC item, according to each possible state of the element associated, is configurable through a points relation table. This allows to represent different states of the element with a single value in the OPC item, and even ignore certain undesired states.
- Only readings are allowed, no commands toward the panel.

Intesis OPC Server is a software package for Windows™ operating systems.

Intesis OPC Server - ESSER 8007/8008

Order Code: IS-OPC-ESSER



OPC Server for integration of ESSER 8007/8008 fire panels.

This gateway allows to monitor the points of the ESSER panel from any SCADA or monitoring software with OPC client driver.

Main features

- Through the user interface, it is allowed to simulate the status of the OPC items without the need to be physically connected to the panel.

OPC features

- OPC Data Access 1.0a and 2.0.

ESSER features

- Capacity of up to 30,000 OPC items.
- No limit in number of panels, the zone numbers are universal.
- Each item corresponds to a single element of the panel: detector, output or zone.
- Indication of communication error with the panel.
- IDT protocol through RS485 or RS232 connection (TTY board required).
- An RS232 or RS485 port in the PC is needed to connect to the panel.
- Each element to detect is defined in a table indicating zone number, output or detector number, and type of element: detector, output or zone.
- 3 general states of the panel in independent OPC items.
- The value offered per each OPC item reflects the state of the element associated in the panel, the possible values are from 0-Normal, 1-Alarm... to 7-TEST.
- Commands toward the panel are allowed for reset, disconnect and test the elements.

Intesis OPC Server is a software package for Windows™ operating systems.

For further details visit our web site <http://www.intesis.com>

or contact your nearest

IntesisBox[®]

Authorised

Dealer



Intesis
software 

URL | <http://www.intesis.com>
email | info@intesis.com
tel | +34 938047134

INTESIS SOFTWARE provides innovative solutions for home and building automation in more than 40 countries around the world



INTESIS SOFTWARE is member of the KNX Association